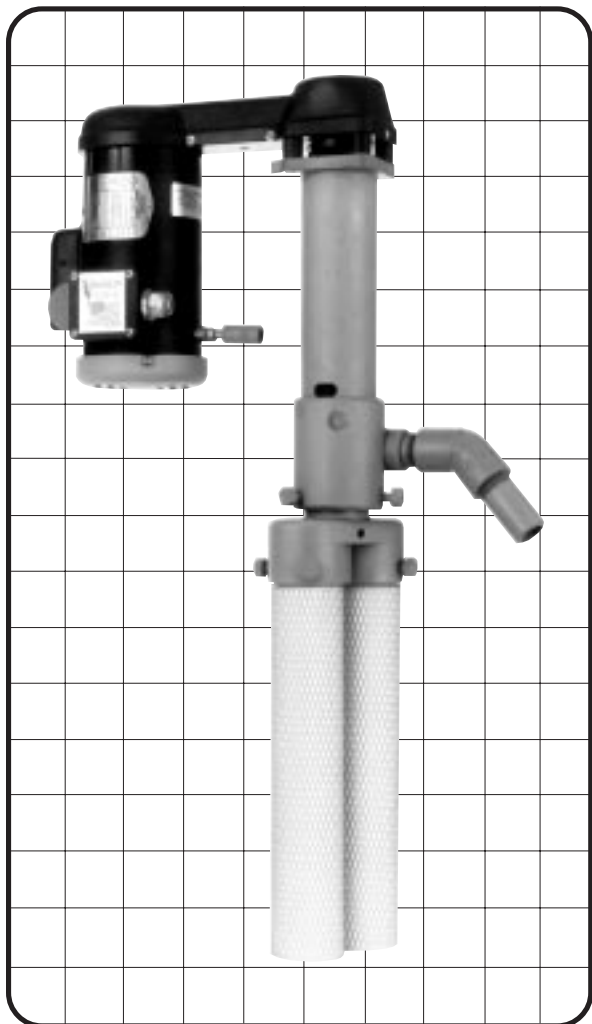




THE LOW-PROFILE FLO KING BXL2500

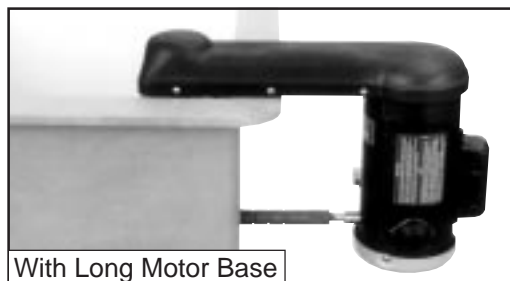


- **LOW PROFILE ... JUST 2" (5 cm) ABOVE THE TANK!**
- **IDEAL WHERE OVERHEAD OBSTACLES ARE PRESENT**
- **FLOW RATE OF 2500 GPH (9500 LPH)**
- **BUILT IN SEVERAL LENGTHS FOR MANY TANK CONFIGURATIONS**
- **AN ALTERNATIVE TO AIR OR MECHANICAL AGITATION**

In addition to our standard BXL2500 with over-the-side motor, this unit is available with Optional Long Motor Base to accommodate tank mounting surfaces up to 6-1/2" (16 cm) wide! Also see our larger low-profile sister model—the 5,000-gallon-per-hour BXL5000—on Bulletin 14.2.



Standard BXL2500



With Long Motor Base



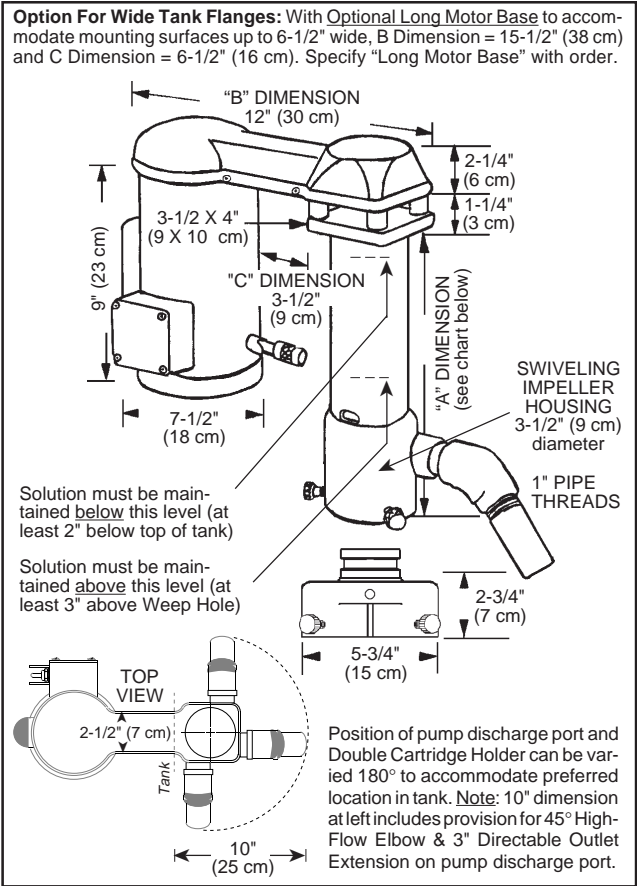
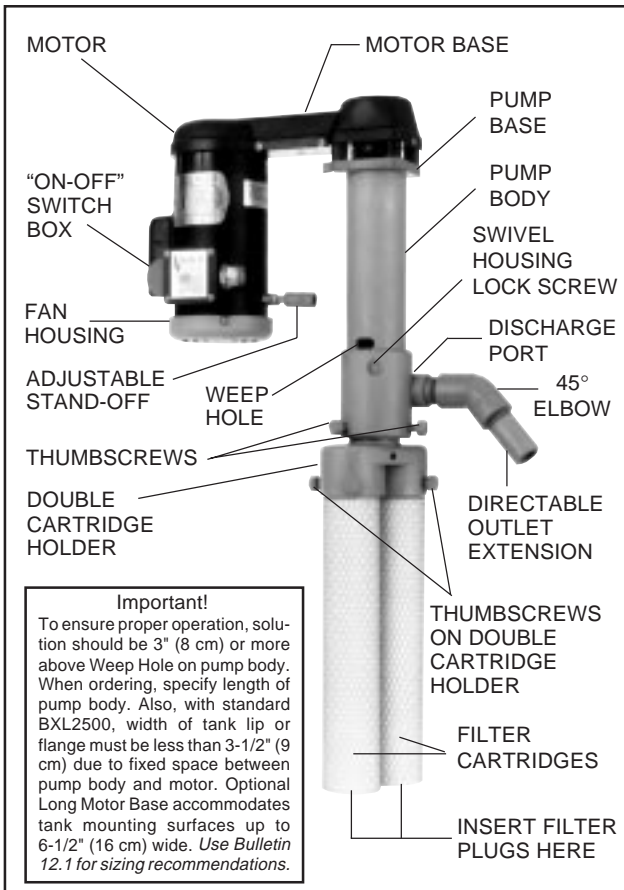
THE FLO KING BXL2500

The BXL2500 is designed for tanks where overhead clearance is limited. The motor is inverted and positioned outside the tank, taking up only 2" (5 cm) of space above the tank. The unit provides a maximum flow rate of 2500 gallons per hour. Use it stationary on one tank or move it from tank to tank. Multiple body lengths (8", 10", 12", and 14") enable use of the BXL2500 in tanks with varying solution levels and depths. The BXL2500 comes ready to operate and includes the items shown in the labeled photograph below. For best results in most metal finishing solutions, use the BXL2500 with our PMCA Permcore "MAGNUM" reusable or FK50 Poly-Spun disposable filter cartridges in the appropriate length.

FLO KING BXL2500 SPECIFICATION

- PUMP:** All-CPVC or polypropylene construction with Teflon-covered stainless steel shaft
- FLOW RATE:** 2500 gallons per hour (9500 liters per hour) at 60 Hz. A flow-rate reduction of about 18%(±3%) is typical when operating at 50 Hz.
- PRESSURE:** 27 feet (8.2 meters) of head pressure
- WEIGHT:** About 25 pounds (11 kg), depending on pump body length
- MOTOR:** Epoxy-coated, 1/3 horsepower (250 watt), single phase, 120/240 volts, 6.0A/3.0A, 50/60HZ, 2850/3450 RPM, TEFC

RUNNING PUMP DRY DOES NOT DAMAGE MOTOR, PUMP, SEALS OR BEARINGS



MEASUREMENT FROM BOTTOM OF PUMP BASE TO BOTTOM OF IMPELLER HOUSING ("A" DIMENSION)				
PUMP MODEL	BXL2500-8	BXL2500-10	BXL2500-12	BXL2500-14
"A" DIMENSION	10-3/4" (28 cm)	12-3/4" (32 cm)	14-3/4" (38 cm)	16-3/4" (43 cm)